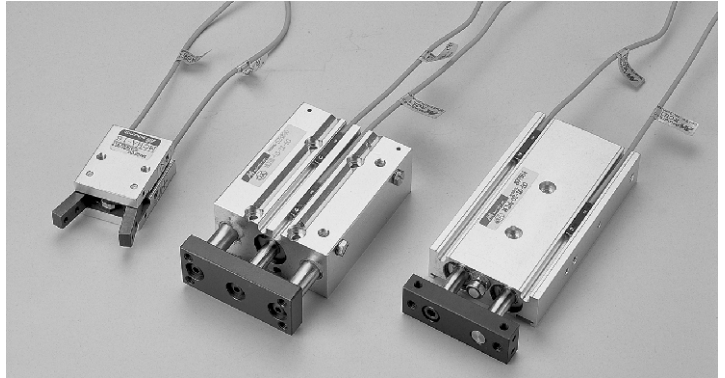
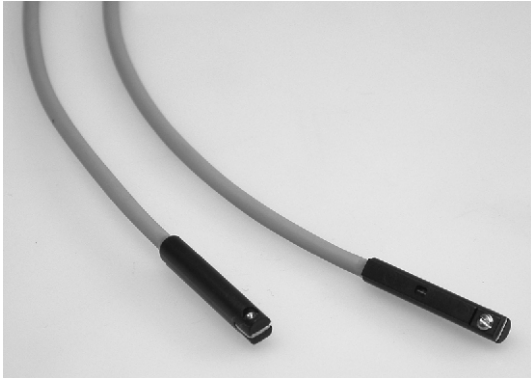


# RCE series

## SENSOR SWITCH



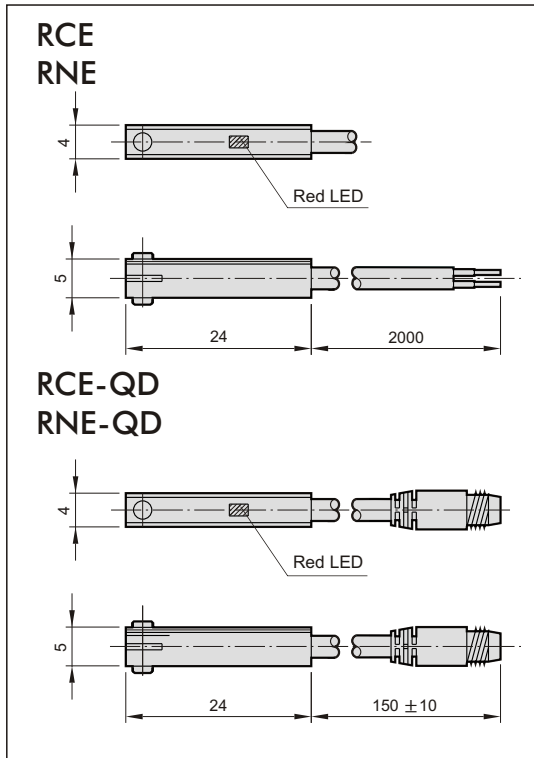
### Order example:

RCE — □

MODEL  
 C: Reed Switch  
 N: Solid State Switch

no code: Lead wire  
 QD: Connector

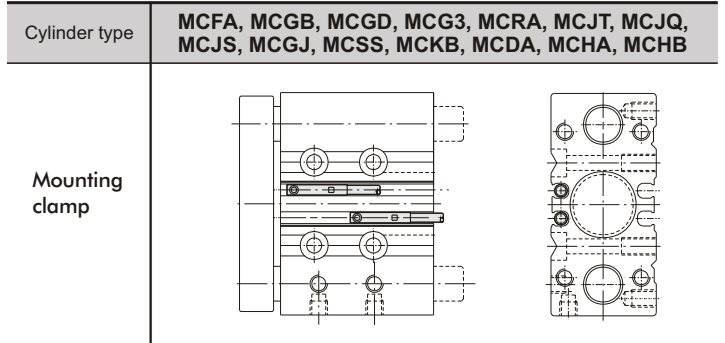
### Dimension



### Specification:

Model	RCE	RNE
Switch type	Reed switch	NPN current sinking
Contracts	Normal open	
Voltage range	5~220V DC/AC	5~28V DC
Current range	50mA max.	200mA max.
Switch range	10W max.	6W max.
Shock resistance	50G	
Voltage drop	4.0V max.	0.5V max.
Response time	Max. 1ms	
Temperature	-10~+70°C	
Lead wire	2.8φ, 2C, PVC	2.8φ, 3C, PVC
Lead wire length	2 m	
Indicator lamp	LED lights up when ON	
Enclosure classification	IP 67 (NEMA 6)	
Indicator	Red LED	
Symbol		

### Assembling style:



### Wiring of the QD:

